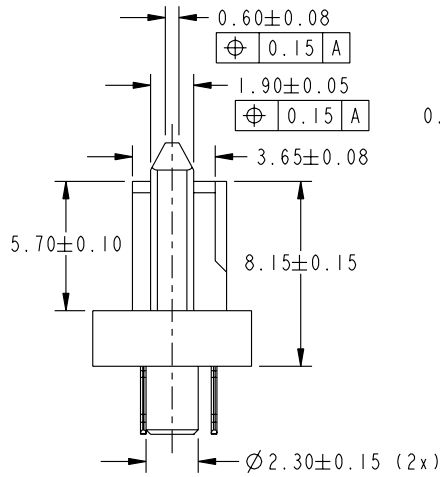
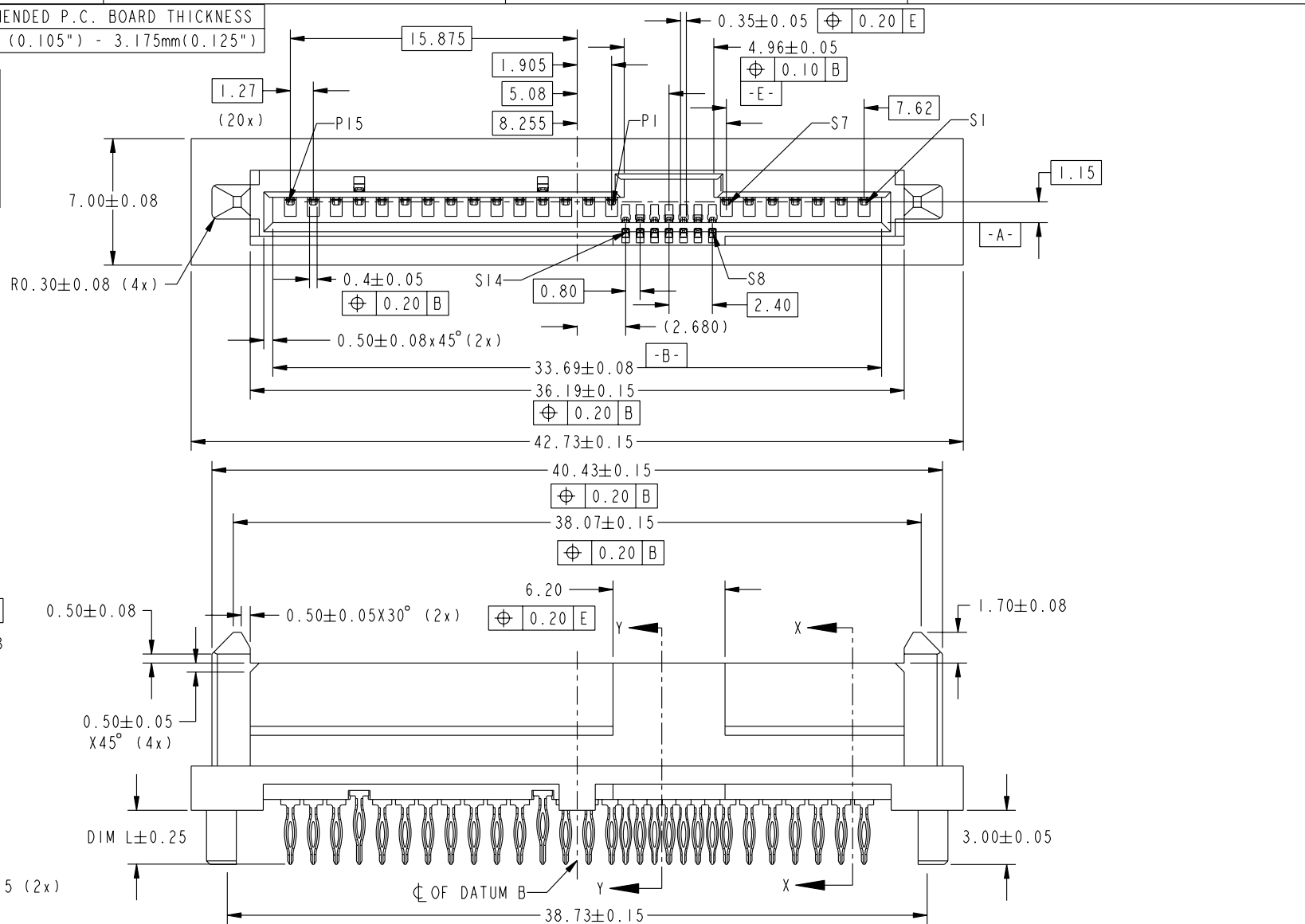


PRODUCT NO	DIM L	RECOMMENDED P.C. BOARD THICKNESS
10045782-001LF	3.50	2.67mm (0.105") - 3.175mm(0.125")

HOLE	A
HOLE DIAMETER AFTER PLATING	0.45-0.55 mm
DRILLED HOLE	0.58-0.62 mm
COPPER PLATING	25-50 $\mu$ m
Sn PLATING	5-15 $\mu$ m



SCALE 3:1

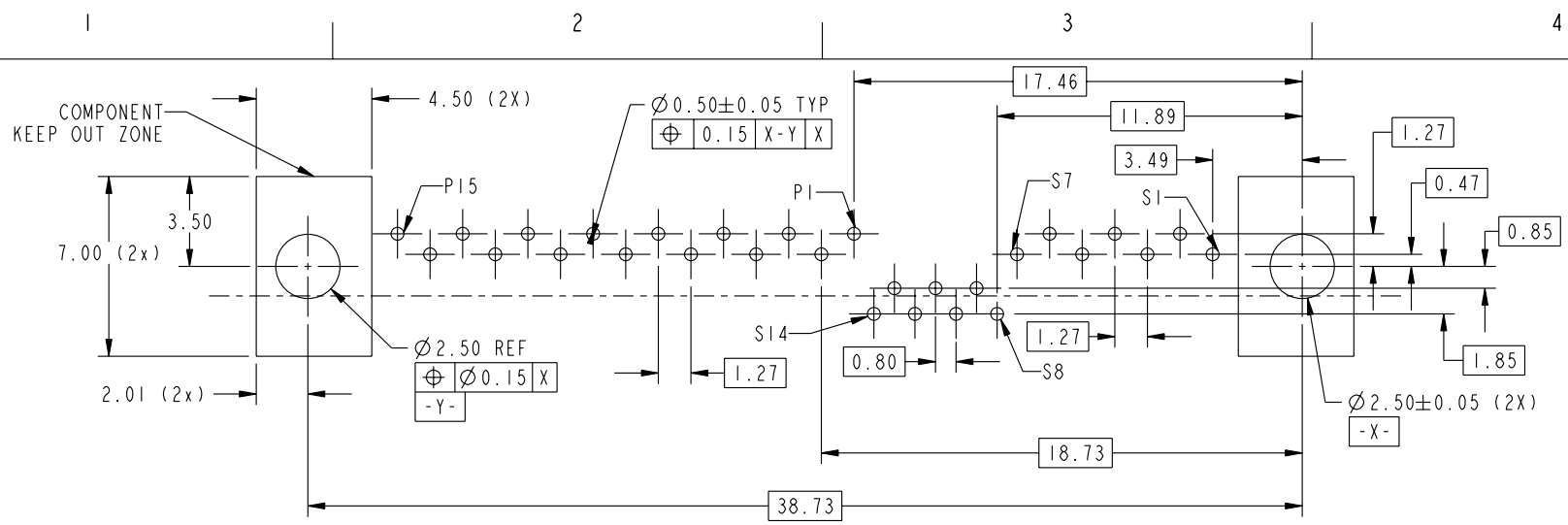
rev	ecn no	dr	date
A	S05-0043	SSYEO	2005-07-26
B	S05-0294	SSYEO	2005-10-18
C	S06-0202	JTAN	2006-06-08
D	S06-0267	PCHUA	2006-08-04
E	S07-0256	WLC	2007-07-26
-	-	-	-
-	-	-	-

www.fciconnect.com		surface	tolerance std	projection	MM
		<input checked="" type="checkbox"/>	ASME Y14.5		
		TOLERANCES UNLESS OTHERWISE SPECIFIED		size	Scale
Dr	YEO SS	2005-07-26	ANGULAR	A4	2:1
Eng	WL CHOONG	2007-07-26	LINEAR	ECN	S07-0256
Chr	WL CHOONG	2007-07-26	0° ±2°	Spec ref	SEE NOTES
Appr	JOEY NG	2007-07-26	Product family	SAS	
		SAS RECEPTACLE PF STAGGER		dwg no	10045782
catalog no		CUSTOMER		Rev.	E
		sheet 1 of 2			

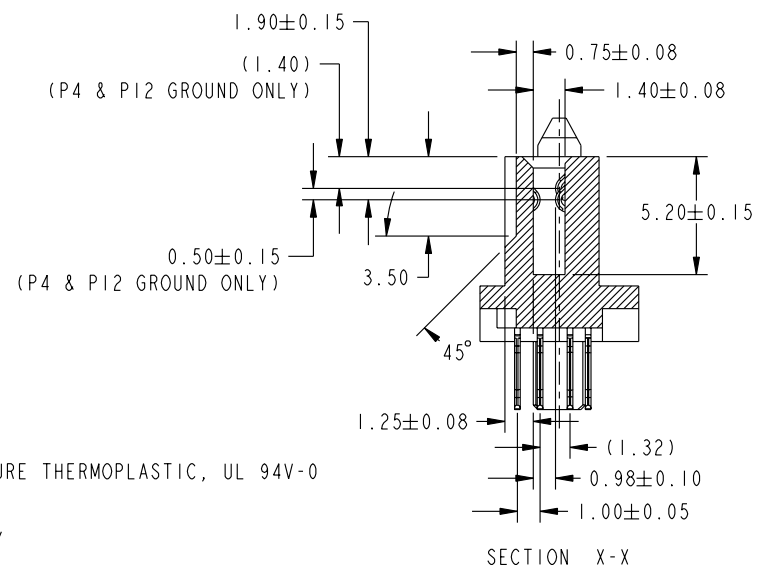


Copyright FCI.

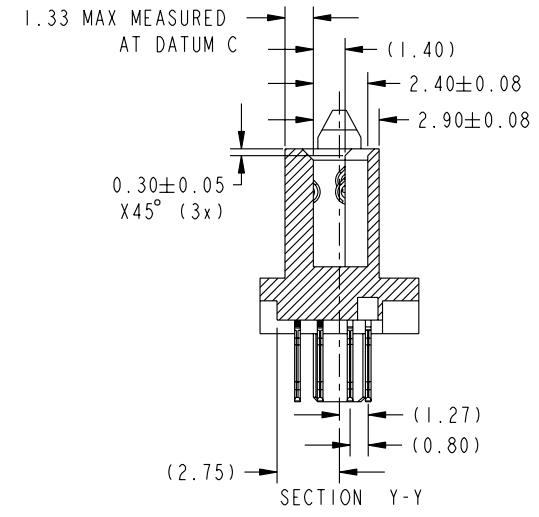
PRODUCT NO  
SEE TABLE



RECOMMENDED PCB LAYOUT



SECTION X-X



SECTION Y-Y

- NOTE:
- MATERIAL:
    - HOUSING: HIGH TEMPERATURE THERMOPLASTIC, UL 94V-0  
COLOUR: BLACK
    - TERMINAL; COPPER ALLOY
    - HOLD DOWN: COPPER ALLOY
  - FINISH (LEAD-FREE):
    - TERMINAL: 30u" Au PLATING (CONTACT POINT) OVER 50u" NICKEL
    - PRESSFIT TAIL: 20u" MIN - 60u" MAX Sn OVER 50u" NICKEL
    - HOLD DOWN: 50u" min Sn OVER 50u" NICKEL
  - PER SFF REV 1.4 EXCEPT 0.8mm PITCH BUMP AREA.
  - THE HOUSING WILL WITHSTAND EXPOSURE TO 260°C PEAK TEMPERATURE FOR 10 SECONDS IN A CONVECTION, INFRA-RED OR VAPOR PHASE REFLOW OVEN.
  - THIS PRODUCT MEETS EUROPE UNION DIRECTIVES AND OTHER COUNTRY REGULATIONS AS DESCRIBED IN GS-22-008.



TITLE SAS RECEPTACLE PF STAGGER  
catalog no

dwg no 10045782  
CUSTOMER sheet 2 of 2

Rev. E